



VapourFlow

Dryvent 150 & 100 ^{BluRay} Auto Kitchen Bathroom & Utility



ABOUT The Dryvent 150 & 100 ^{BluRay}

The Dryvent 100 & 150 fans are a multifunctional Auto controlled high specification, dehumidifying fan designed for the particularly demanding condensation control requirements of kitchen, Utility or environments. As well as a multifunctional fan operated by App if required, they includes speed control on both trickle and highlevel extract.

These units are effective for damp conditions. Oreset basic operational setting runs continually on extracts at low speed to remove moisture laden air at source before it can condense. This condensation control is achieved through the inclusion of an internal, Automatic Autostat unit. When the built-in Autostat detects the humidity level rising above acceptable levels the fan triggers into high speed delivering powerful performance when it is needed most. Autostat unit, by remote switch or Smart iPhone App

FEATURES AND BENEFITS

- Removable grease filter for the Kitchen Dryvent 150 fan
- Incorporates the Autostat humidity controller that monitors ambient humidity and automatically adjusts
- If required a speed control via smart phone App, with the powerful Dryvent 150
- Low energy, low cost continuous running at 50m³/h (Low speed)
- Incorporates a data-logger that captures humidity, temperature and fan operation providing details on the dwelling air quality for improved condensation control management, all available with bluetooth download
- Incorporates reversible DC fan motors - designed to operate for 50,000+ hours fault free
- which means:
 - ◇ Almost silent operation on trickle
 - ◇ Cost effective as it is inexpensive to run, low maintenance and has a long life.
 - ◇ Can be fixed in any orientation without affecting performance (wall, ceiling)
- Air flow continuous, thereby conforming to building regulations part F,
- 2 year guarantee Product Guarantee
- The BluRay fans are programmed for proportional overrun timer control, minimal operation at high speed
- Manual override option via bluetooth App control for Dryvent 150 via switched live for the Dryvent 100



SPECIFICATIONS

INPUT

Input Voltage	20-240V 50Hz
Fan Input Power (trickle)	4.5W
Fan Input Power (boost)	6.5W
Earth Leakage	Class II construction, no earth
RoHS Compliance	Yes

PERFORMANCE

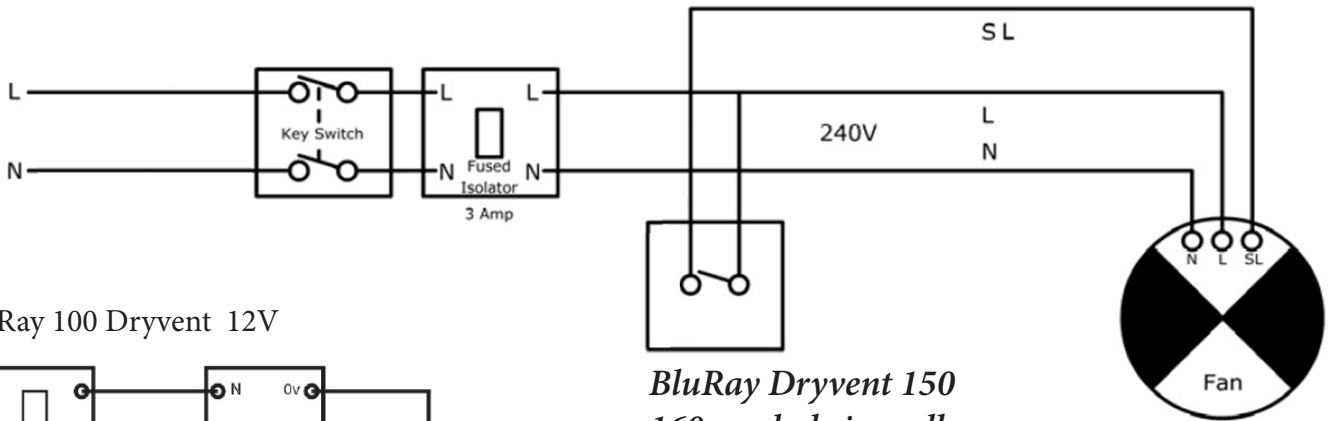
Acoustic Noise low speed	Less than 30 dB(A)
Life Expectancy	>50,000 hours
Specific Fan Power	0.1 W/(l/s)
Static Pressure	75 Pa
Air Flow Continuous	0 to 70m ³ /h
Air Flow BluRay 100	0 to 85m ³ /h
Air Flow BluRay 150	0 to 220m ³ /h

GENERAL

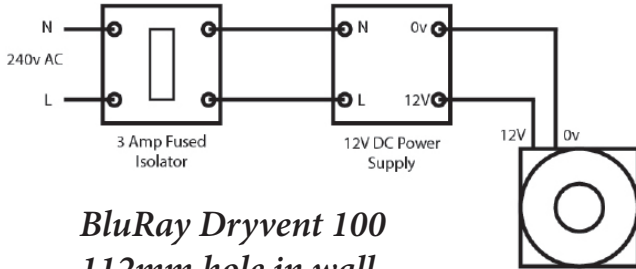
Operating Temperature	-10° to +40°C
Storage Temperature	-15° to +40°C
Weight	<2 kg
Optional extras	Heritage Grille

MECHANICAL

Impact strength	390 J/m (ASTM D790)
Flammability	UL94 V-0 (2.10mm)
Flame retardant	Non-halogen
Heat distortion	110°C
UV Resistance	1.0 E, 300 hours, ASTM



BluRay 100 Dryvent 12V



BluRay Dryvent 100
112mm hole in wall

BluRay Dryvent 150
160mm hole in wall

Dryvent 150



Dryvent 100



VapourFlow

VapourFlow Limited
Henley on Thames
RG9 1UZ
United Kingdom
01491 410170
vapourflow.com
vents@vapourflow.com